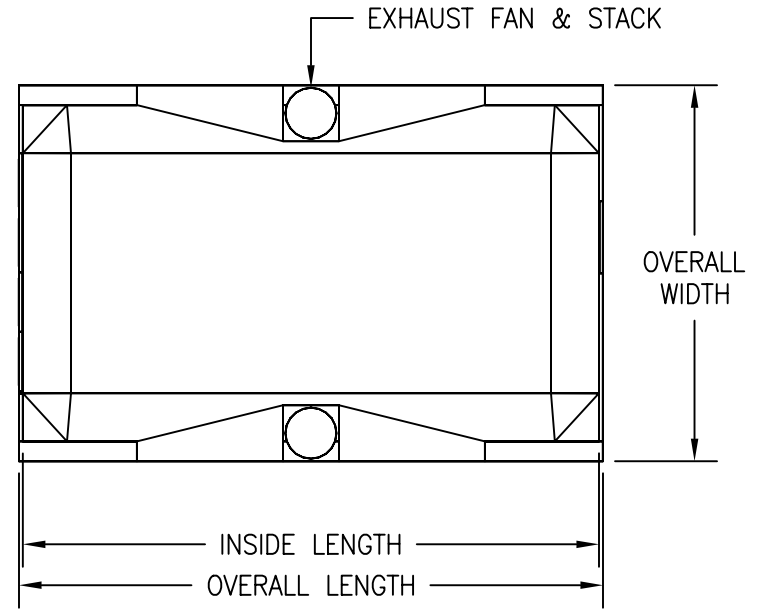
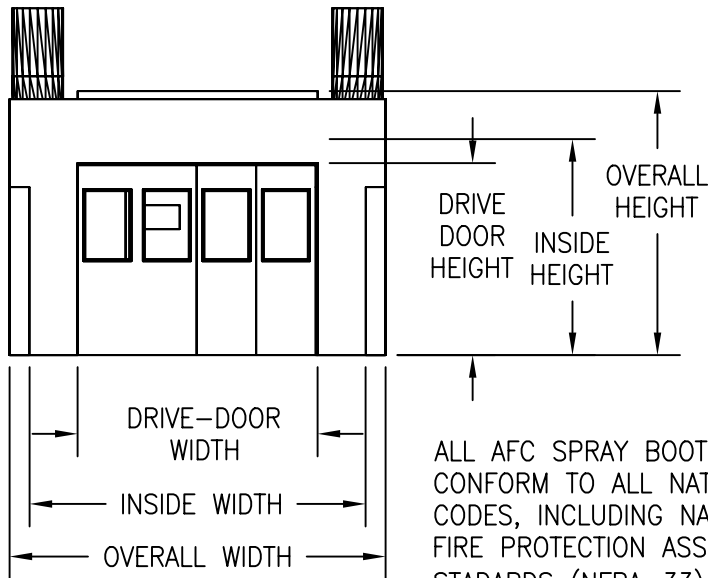


PERSPECTIVE VIEW

ALL ASSEMBLING, FIELD ELECTRICAL WIRING AND GAS PIPING ARE TO BE IN COMPLIANCE WITH NFPA OR THE LOCAL SAFETY OFFICIAL(S).

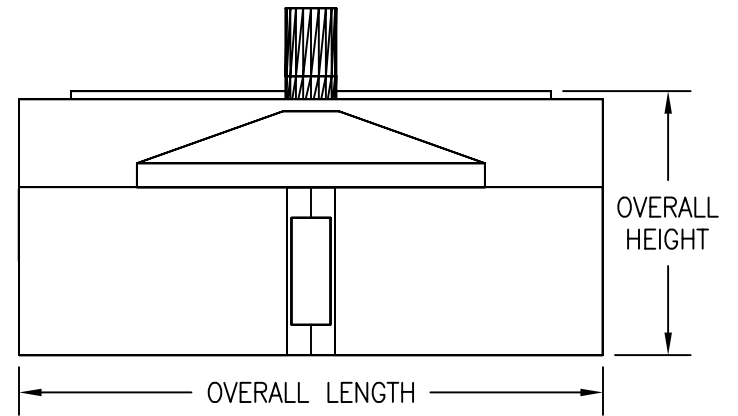


TOP VIEW



FRONT ELEVATION

ALL AFC SPRAY BOOTHS CONFORM TO ALL NATIONAL CODES, INCLUDING NATIONAL FIRE PROTECTION ASSOCIATION STANDARDS (NFPA-33), BOCA, AND COMPLY WITH THE OCCUPATIONAL SAFETY AND HEALTH ACT (OSHA).



SIDE ELEVATION



**AIR FILTRATION CO., INC**

250 AIRPORT PARKWAY, OROVILLE, CA 95965  
(800) 331-7744 (530) 533-0179 (FAX)

*This drawing is the property of AFC, inc. and is not to be used unless in direct connection with AFC, inc. All right reserved.*

Drawn by: Y THAO	Dwg No: XDD_ELEVATION	Rev:
Date: 8/18/00	Scale: 1/4"=1'-0"	Sheet: